
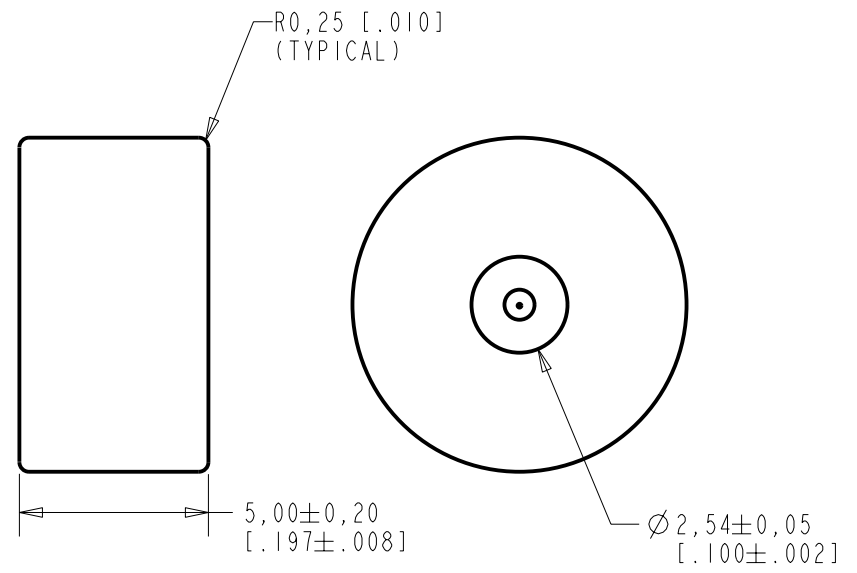
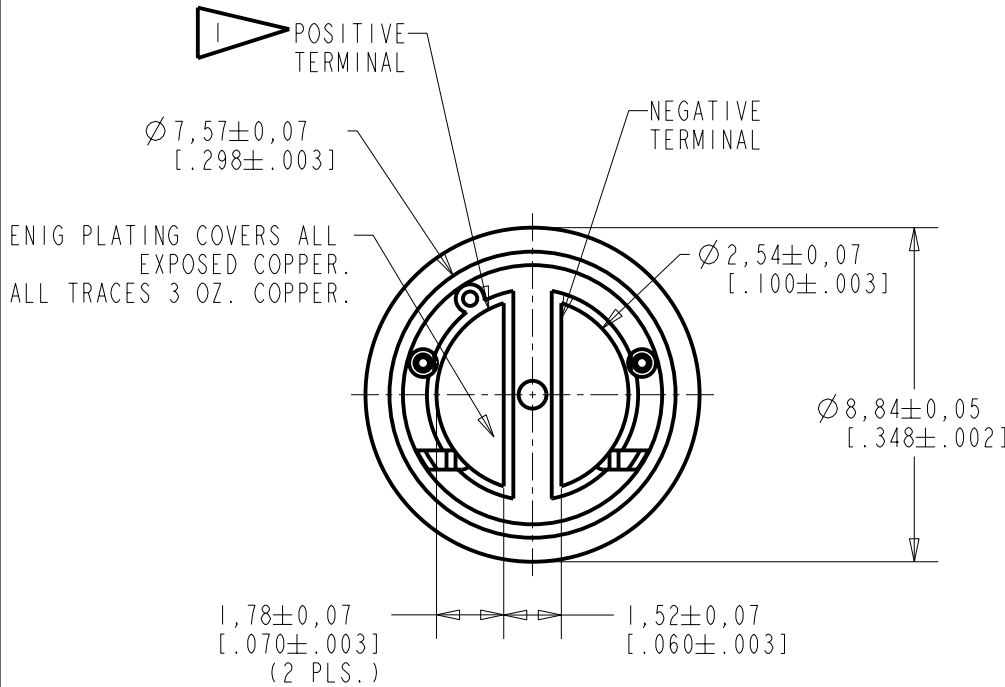


SR8850NWS-000
SHT 1.1

NOTES:

 A POSITIVE GOING VOLTAGE AT THE POSITIVE TERMINAL, RELATIVE TO NEGATIVE TERMINAL, CAUSES A DECREASE IN PRESSURE AT THE SOUND OUTLET.



SCALE 2:1

NOMINAL WEIGHT
0.56 GRAMS

DIMENSIONS IN MILLIMETERS [INCHES]

Revision	C.O. #	Implementation Date	RELEASE LEVEL	REVISION
B	C10105487	2-14-07	Released	B
A	C10104974	10-23-06		

SCALE:	5:1	DR. BY	DATE
DO NOT SCALE DRAWING		CRG	11-27-06
TITLE:	SIRENS	GJP	11-28-06
	SR8850NWS-000	APP. BY	DATE
	OUTLINE DRAWING	GJP	11-28-06
	SHT 1.1		

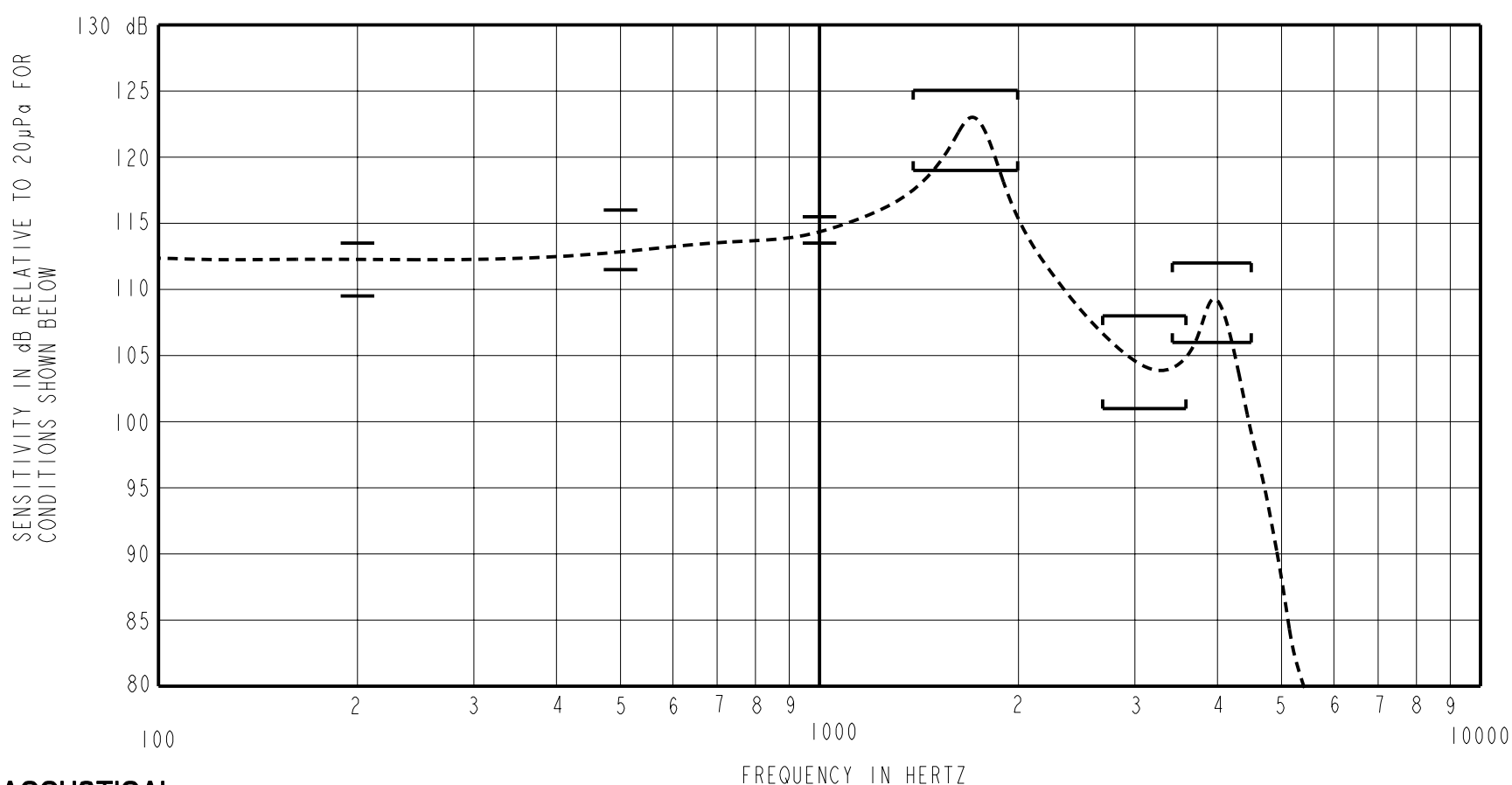
KNOWLES ELECTRONICS
ITASCA, ILLINOIS U.S.A.

THE SIRENS SR8850NWS-000 IS A MAGNETIC BALANCED ARMATURE RECEIVER WITH INCREASED DCR/IMPEDANCE RATIO FOR REDUCED BASS RESPONSE OPTIMIZED FOR USE IN EARPHONES.

NO DAMPING

SR8850NWS-000

SHEET 2.1



ACOUSTICAL

SENSITIVITY
 DEVICE WILL PRODUCE THE SPL LISTED BELOW UNDER TEST CONDITIONS DESCRIBED IN TABLE 3.
 NOMINAL SENSITIVITY AT 1kHz IS dB RELATIVE TO 20µPa. ALL OTHER VALUES
 IN dB RELATIVE TO THE SENSITIVITY AT 1kHz.

FREQUENCY (Hz)	MINIMUM	NOMINAL	MAXIMUM
100	-5.0	-2.0	+1.0
200	-5.0	-2.0	+1.0
500	-3.0	-1.5	+1.5
1000	-1.0	114.5	+1.0
1400-1900 PEAK	+4.5	+7.5	+10.5
2760-3740 VALLEY	-13.5	-10.5	-6.5
3440-4660 PEAK	-8.5	-5.5	-2.5

MECHANICAL CHARACTERISTICS

SOLDER TYPE: SAC 305 (LEAD FREE)
 SOLDERING TEMPERATURE: 400°C FOR 2 SECONDS
 STORAGE TEMPERATURE: -40°C TO 63°C
 OPERATING TEMPERATURE: -0°C TO 63°C

AT EXTREME ENDS OF THE OPERATING TEMPERATURE THE SENSITIVITY WILL NOT VARY MORE THAN ±3 dB FROM ROOM TEMPERATURE

TABLE 1
 TOTAL HARMONIC DISTORTION
 DEVICE WILL NOT EXCEED TOTAL HARMONIC DISTORTION LEVELS LISTED BELOW.

FREQUENCY (Hz)	AC DRIVE (V rms)	MAX (%)
550	0.215	5
825	0.215	5
1000	0.215	5
550	0.600	10
825	0.600	10

TABLE 2

TEST CONDITIONS

NOMINAL SOURCE VOLTAGE	0.215 V rms, 0 mA DC BIAS
SOURCE IMPEDANCE	<1 Ohm
TUBING	10mm [.394"] LONG, 1mm [.039"] I.D.
COUPLER CAVITY	2 CM ³ , SIMULATED ANSI S3.7 TYPE HA-3 (IEC 126)

TABLE 3

ELECTRICAL

DC RESISTANCE	18.5 Ohms ± 10%
IMPEDANCE @ 500 Hz	21.5 Ohms ± 15%
IMPEDANCE @ 1kHz	27.8 Ohms ± 15%
INDUCTANCE @ 500 Hz	2.6 mH ± 15%
CAPACITANCE @ 10 MHz	6 pF ± 20%

TABLE 4

ISOLATION: CASE WILL BE ELECTRICALLY ISOLATED FROM THE COIL CIRCUIT.

Revision	C.O. #	Implementation Date	RELEASE LEVEL	REVISION
B	C10105487	2-14-07	Released	B
A	C10104974	10-23-06		
WHEN TEST LIMITS ARE USED TO ESTABLISH INCOMING INSPECTION ACCEPTANCE/REJECTION CRITERIA, CORRELATION OF TEST EQUIPMENT WITH KNOWLES IS ALSO REQUIRED FOR ELIMINATION OF EQUIPMENT AND TEST METHOD VARIATION			DR. BY	DATE
TITLE: SIRENS PERFORMANCE SPECIFICATION			CRG	11-27-06
			SR8850NWS-000 SHT 2.1	
			CK. BY	DATE
			GJP	11-28-06
			APP. BY	DATE
			GJP	11-28-06

KNOWLES ELECTRONICS
 ITASCA, ILLINOIS U.S.A.